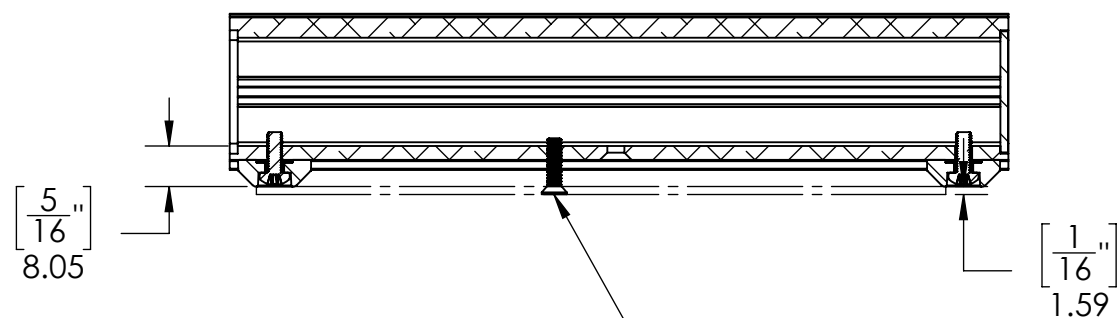


4-40 TAPPED MOUNTING HOLES (2X)

SECTION A-A
SCALE 1 : 1.5



NOTE: For mounting to 1/16" sheet metal, use 4-40 flat head undercut screw, length 7/16" Min to 9/16" Max.

	NAME	DATE
CREATED	JPK	6/5/2019
ENG APPR.	JPK	6/28/2019

DIMENSIONS ARE IN MILLIMETERS
[DIMENSIONS] ARE IN INCHES

Copyright (c) 2019 Sonnet Technologies Inc.

Sonnet Technologies

TITLE: **RED MM Card Reader**

REV	DWG. NO.	VERSION
A	SF3 SERIES RED Pro Card Reader	A-16